

**THE PRODUCT**

Aerox provides efficient natural ventilation in all weathers. The shutter blades of many conventional roof ventilators can only be set to „open“ or „closed“. Aerox can achieve more: the position of the shutter blades is determined by the weather. Aerox is tested and certified as a smoke ventilator according to EN 12101-2.

**APPLICATIONS**

Aerox is particularly suitable for use in heat-intensive and noisy industrial buildings.

**FEATURES AND BENEFITS**

Aerox can cool down buildings which have high heat loads. It is rain proof, can be fitted with sound attenuators, and it has an attractive price. Three different shutter blade positions enable optimum all weather ventilation. Any rain droplets that come in past the shutter blades are collected within the ventilator and discharged to the outside.

For technical details please see the next page.



**KEY FEATURES**

**All weather ventilation**

*Aerox is adaptable to the prevailing weather conditions.*

**Three shutter opening positions**  
 0° | 45° | 97°

**Cv-Value**

*C<sub>v</sub> = 0.49 / 0.54  
 (in accordance with EN 12101-2).*

**Aerodynamics**

*High efficiency day-to-day ventilation.*

**Smart price**

*Great value for money achieved through its high efficiency.*

**EN 12101-2**

*Tested and certified.*

**Acoustic attenuation**

*Aerox can optionally be equipped with sound baffles.*

**Removable side panels**

*To enable access for easy cleaning of the louvres.*

**Stability against collapse**

*According to EN 1991*

**PRODUCT DESCRIPTION**

The shutter blades of many conventional roof ventilators can only be set to “open” or “closed”. Aerox can achieve more: the position of the shutter blades is determined by the weather. Three different shutter blade positions enable optimum all weather ventilation.

When the weather is changeable or rainy, Aerox does not have to “batten down the hatches”. It can remain open without risk of rain entry, because in this instance the shutter blades are moved to an opening angle of 45°. To ensure that no rain can enter the building, there is an elaborate system of louvres within the unit. Any droplets that come in past the shutter blades are collected and discharged to the outside.

The Cv0 value in its rainproof open position (45°), is 0.41 and the Cvw value lies between 0.53 and 0.80. In the open position (97°), is the Cv0 value is 0.53 and the Cvw value lies between 0.71 and 0.95. Alternatively, tested and certified to EN 12101-2 Aerox achieves Cv values between 0.49 and 0.54.

Optionally, Aerox can be equipped with sound baffles. Aerox is controlled either manually or automatically via an automatic weather station (with a rain and /or a wind sensor) or via the building management system. Aerox is tested and certified as a smoke ventilator according to EN 12101-2.

**FURTHER TECHNICAL DETAILS**

- Widths (W) from 1.000 mm to 3.000 mm
- Lengths (L) from 3000 mm to infinity in 750 mm increments
- Height (H) when closed = 1.535 mm
- Optional sound absorbers
- Either electric or pneumatic controls
- Removable side panels allow easy cleaning
- Can be polyester powder coated
- For smaller sizes can be completely assembled at the factory.
- Certified surrounding temperature according to EN 12101-2 = T (-15) and T (-25)

**SOUND REDUCTION INDEX\***

- 0° (closed) = 23,6 dB
- 45° (rain defence) = 22,5 dB
- 97° (opened) = 22,2 dB

\*without sound absorbers

**STABILITY AGAINST COLLAPSE**

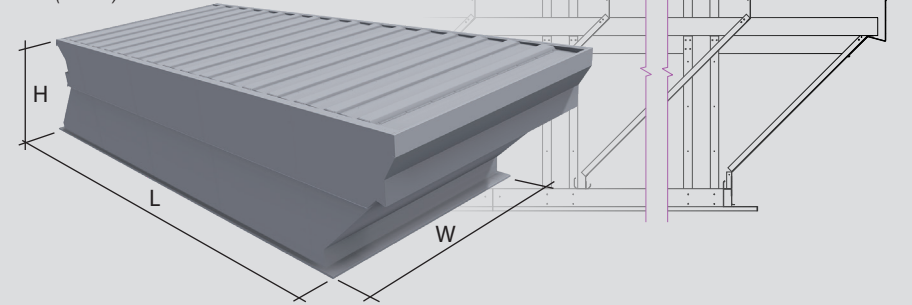
Verified according to EN 1991:

- Snow load to 1,33 kN/m<sup>2</sup>
- Wind suction load to 1,20 kN/m<sup>2</sup>

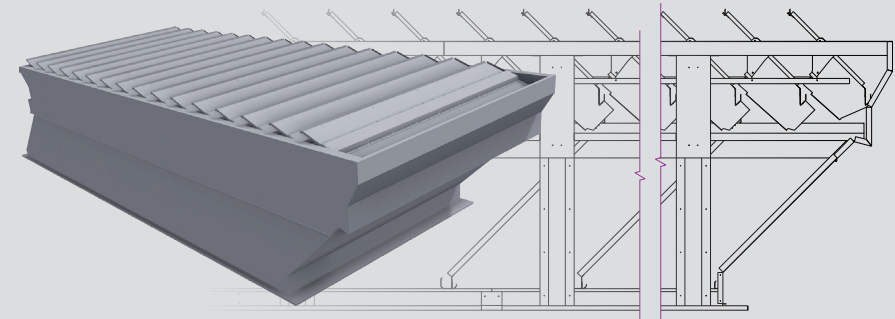
Tested according to EN 12101-2:

- Snow load test to 1,5 kN/m<sup>2</sup>
- Wind suction load test to 1,5 kN/m<sup>2</sup>

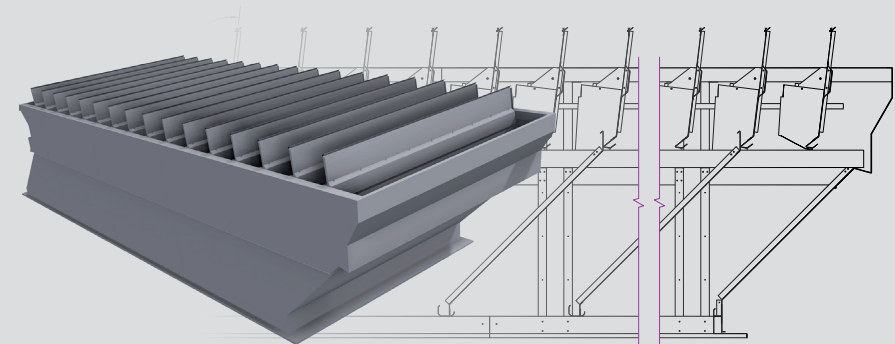
**0° POSITION**  
(closed)



**45° POSITION**  
(optimised for rain defence and aerodynamic performance)



**97° POSITION**  
(completely open, optimised for maximum aerodynamic performance in good weather)



Colt International Licensing Ltd reserves the right to amend product specifications without prior notice. The information and technical details included in this literature are given in good faith and apply to uses described. Recommendations for use should be verified for suitability and compliance with actual requirements, specifications and any applicable laws and regulations. For other applications or conditions of use, please contact our technical team, the advice of which should be sought for uses of our products that are not specifically described herein. To ensure you are viewing the most recent and accurate product information, please scan the QR code.