

PRODUCT INFO | FIRE CURTAINS

FIRE PROTECTIVE CURTAIN TYPE FMB

WHAT THIS UNIT IS USED FOR:

Colt FireCurtain FMB is an automatic fire curtain which reduces the breakthrough of flames from one area to another. In case of fire, the FMB forms a temporary barrier that increases the likelihood that people can escape from the building if it is on fire.

WHAT THIS UNIT IS USED FOR:

Fire curtains are used in residential buildings and all types of industrial or commercial buildings such as shopping centres, museums, atria, etc.

FEATURES AND BENEFITS:

Colt FireCurtain FMB provides fire protection within a compact design and thus requires little space for installation. The side guide system can be installed in many different ways. Its non-visible fastenings mean that it meets highly aesthetic demands for "invisible fire protection". The curtain material is fire-resistant at high temperatures. The PU coating applied to both sides of the curtains stabilizes the fabric and also ensures that the curtain can be rolled up and down many times without damage.

Its technical details are described overleaf.



Description of the product

FireCurtain FMB is an automatic fire curtain which, when activated, rolls down to its final position, preventing the penetration of flames and the spread of fires. The fabric consists of a glass filament fabric with stainless steel core and a stabilised polyurethane coating.

Headboxes are made of galvanized sheet steel with a closed construction to accommodate the rollers. The lateral roll or rod side guides provide the connection to the building structure.

The weight profile ensures that the curtain closes reliably and stabilises the curtain when it is rolled down. Sliders are attached to the sides of the weight profile to assist with the closing process even if there are air currents.

A sprung bottom bar made from extruded aluminium enables a homogeneous closure to the "invisible fire protection" headbox.

There are no visible fixings such as screws, rivets or similar when it is installed.

The curtain may be polyester powder coated in all types of RAL colours.

The underside of the headbox can be opened over the entire length of the unit for inspection purposes, thus allowing easy access to all components for quick and time-saving repairs.

A compact unit with minimal dimensions and high fire resistance at a low weight.

Time and cost saving installation to walls or ceilings by the use of prefabricated and delivered modules. The curtain is attached to the building using special brackets.

How it works:

When activated, the curtain moves from its at-rest position with no need for electricity at a controlled speed to the alarm position (using the "Gravity Fall Safe" principle).

The specially-developed roller unit is installed within the winding shaft and contains a PCB with its own intelligence in addition to a DC motor with planetary gears. Essential safety-related functions:

- Geschwindigkeitsregelung 0,15m/s
- Speed control $\leq 0.15\text{m/s}$
- Locking unit
- Monitoring of the at-rest position
- Synchronisation of multiple units
- HWD intermediate position
- Adjustment of the bottom bar
- More than 10,000 operational cycles

SKC-SC CONTROL PANEL

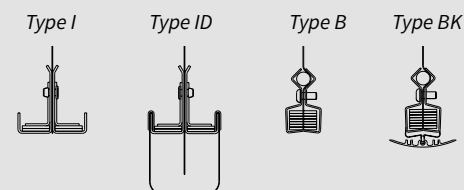
The SKC-SC control panel is designed for safe operation of the fire curtain and complies with ISO 21927-9 and BS 8524. There is a power supply which guarantees that the control functions are maintained for at least 72 hours according to the EN 12101-10 standard.

HOLD-OPEN SYSTEM

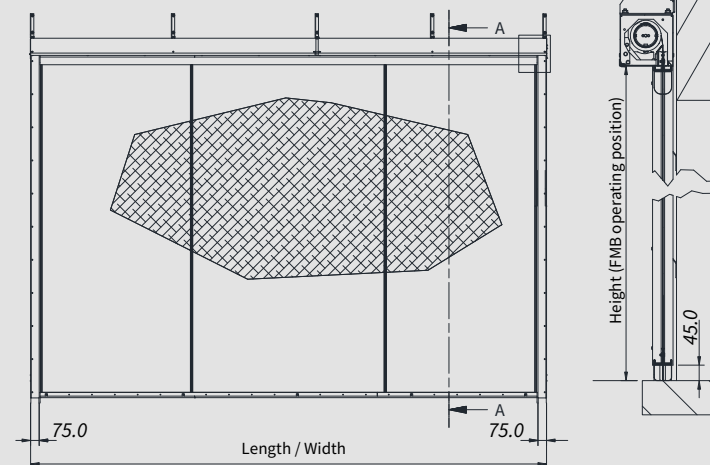
Control of the fire curtain is via a hold-open system according to DIN EN 14637. Autonomous controls for initiating the closing process via the connected smoke detectors or manual control units.

Alarm saving when released.

WEIGHT PROFILE



DIMENSIONS

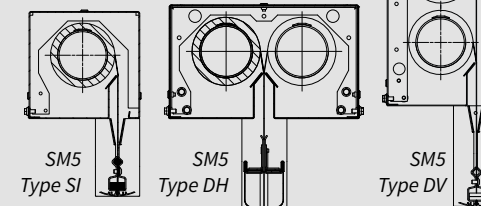


SIDE GUIDES

Type: FRB or FSB
60x90 mm cross section



HEADBOX TYPES



HEADBOX DIMENSIONS

TYPE	WIDTH	HEIGHT	TYPE	WIDTH	HEIGHT	TYPE	WIDTH	HEIGHT
SI-N	155	150	DH-N	250	150	DV-N	155	250
SI-L	180	185	DH-L	300	185	DV-L	180	300

DIMENSIONS (Max. unit size in mm)

CERTIFICATION Classification according to EN 13501-2		E 90 - EW 20		E 120 - EW 20		E 180 - EW 20	
Unit	Housing type	Width	Height	Width	Height	Width	Height
Single system	SI-N	4000	2750	3000	2750	3000	2750
Single system	SI-L	4000	5500	3000	5000	3000	5000
Multiple system	DH+DV-N	9450	2000	9450	2000	8800	2750
Multiple system	DH+DV-L	8250	3000	9250	3000	8800	5500

KEY FEATURES



Tested to British Standard
BS 8524-1

Application in accordance with BS 8524-1:

- Reopening in an emergency
- Re-opening by fire-fighters
- Intermediate position
- Delayed operation

Furnace test to
EN 1634-1

Fire resistance + integrity:

E 180 C

Radiation limitation

EW 20

Cloth
Glass fibre fabric with stainless steel inlay and PU coating

1200°C

Materials class: A2- s1,d0
acc. to EN 13501-1

Reliability test to

C1=500cycles

invisible installation

Roller and rod side guides

Various headbox sizes and options

4 different bottom bars

Manufactured to
ISO 9001:2015